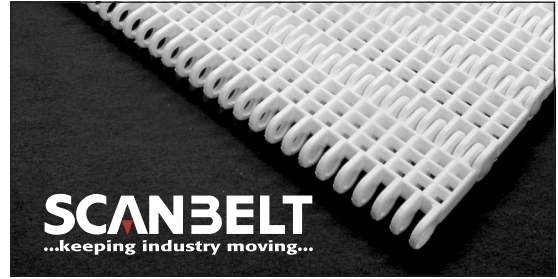
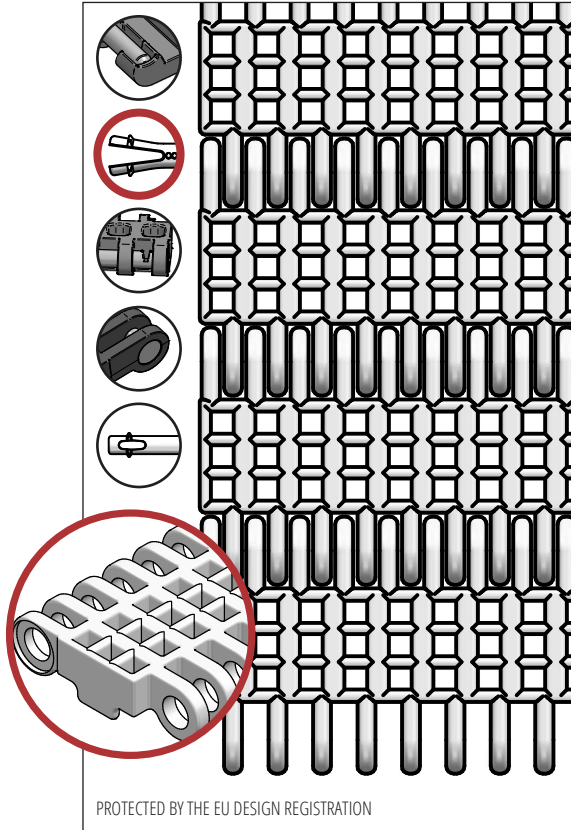


S.25-100

Ideal choice for light transportation.
Bakery goods, dairy, sweets and seafood industry.
FDA approved.



SCANBELT
...keeping industry moving...



PROTECTED BY THE EU DESIGN REGISTRATION

SUGGESTED INDUSTRIES



STANDARD FEATURES

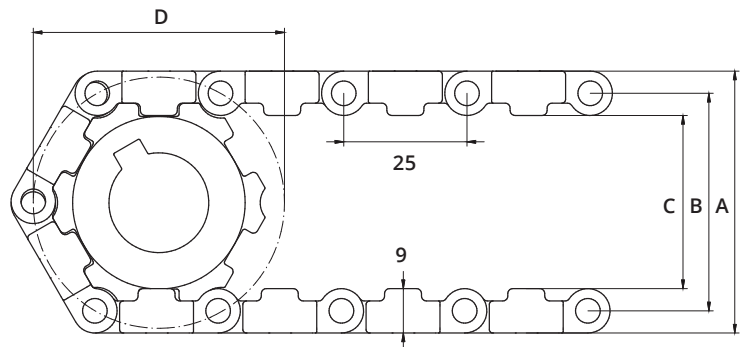
Belt surface	Open belt with a smooth surface
Open area	20 %. Biggest opening 3 x 3 mm
Strength	Ideal choice for light transportation
Cleanability	Good
Standard width	Increments of 6 mm, e.g. 100, 106 mm etc.

BELT DATA

Belt materials	Temperature range		Max. belt pull kg/m of width	Belt weight kg/m ²	Belt weight kg/m ² w. steel rods	Standard Colours
	Min.	Max.				
PE	- 73	66	540	4,5	10	Blue/Natural
PP	+ 5	100	740	4,5	10	Blue/White/Grey
POM	- 43	95	1250	6	11,5	Blue/Natural

ACCESSORIES

Type	mm
Flights	5, 25, 50
Scoop Flights	-
Bent Flights	-
Supported Flights	-
Flights fitted with a Round Top	Yes
Side Guards	25, 50, 75
Friction Flights	25, 50
Hold-downs	Yes



SPROCKET DATA

A = Outside, B = Pitch, C = Inside, D = Pitch Circle Diameter

No. Teeth	A	B	C	D	Hub Width	Round Bore		Square Bore	
	mm	mm	mm	mm		mm	Inch	mm	Inch
6	54	45	36	52	40	20			
12	105	96	87	99	40	25 / 30 / 40		40	1½
20	170	161	152	164	40	25 / 30 / 40		40 / 60	1½