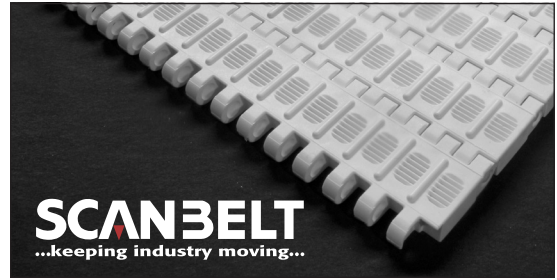


S.25-413

Ideal choice for medium-duty transportation of fish, meat, fruit & vegetables etc.
Suitable for blanching belts and boiling of noodles.
FDA approved.



SCANBELT
...keeping industry moving...

SUGGESTED INDUSTRIES

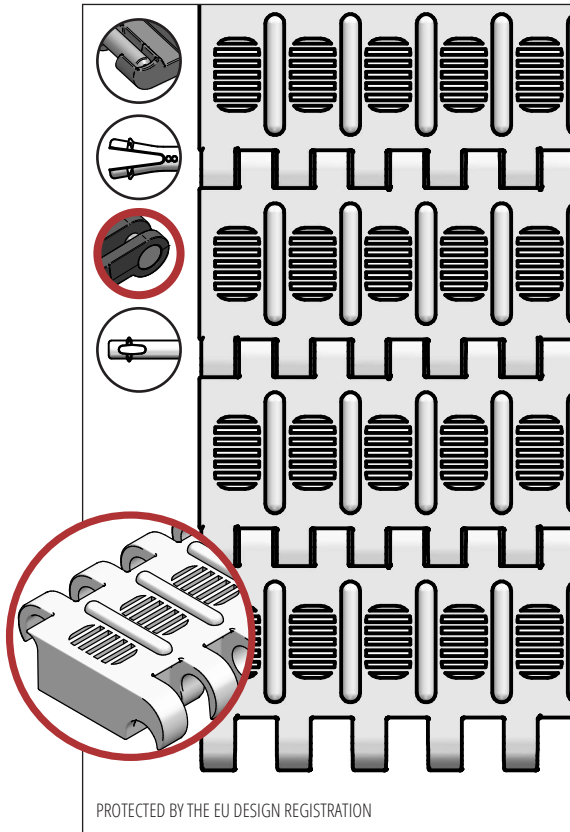


STANDARD FEATURES

Belt surface	Open net-like belt with 1,5 mm transverse Flights
Open area	13 %. Biggest opening 1 x 6 mm
Strength	Ideal choice for medium-duty transportation
Cleanability	Good. FSIS
Standard width	Increments of 10 mm, e.g. 100, 110 mm etc.

BELT DATA

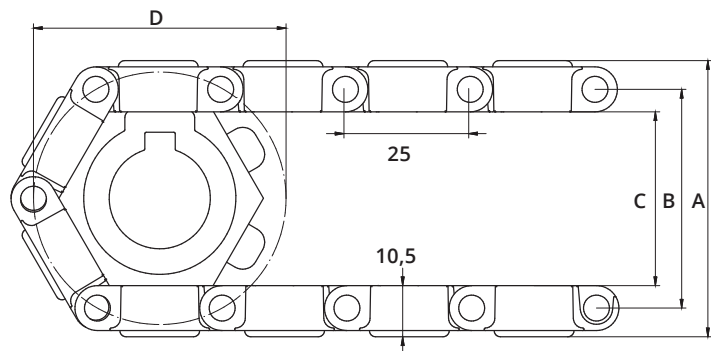
Belt materials	Temperature range		Max. belt pull kg/m of width	Belt weight kg/m ²	Belt weight kg/m ² w. steel rods	Standard Colours
	Min.	Max.				
PE	-73	66	900	6	11,5	Blue/Natural
PP	+5	100	1250	6	11,5	Blue/White/Grey
POM	-43	95	2400	9	14,5	Blue/Natural



ACCESSORIES

Type	mm
Flights	3, 25*, 50*
Scoop Flights	-
Bent Flights	-
Flights fitted with a Round Top	Yes
Moulded Side Guards	10, 20
Side Guards	25, 50, 75
Friction Top	-
Hold-downs	Yes

*Modules can be supplied with a moulded indent of 40 mm.



SPROCKET DATA

A = Outside, B = Pitch, C = Inside, D = Pitch Circle Diameter

No. Teeth	A	B	C	D	Hub Width	Round Bore		Square Bore	
	mm	mm	mm	mm		mm	Inch	mm	Inch
6	57	45	36	52	20	20			
8	74	62	53	66	20	20 / 25	1	25	
12	108	96	87	99	20	20 / 25 / 30 / 40	1 / 1¼	25 / 40	1½
20	174	162	153	164	35	25 / 30 / 40	1 / 1¼	25 / 40 / 60	1½ / 2½