

S.25-418

Ideal choice for medium-duty transportation etc. pallets, doors, panels etc. The rough top ensures a higher friction as well as extra wear surface. FDA approved.



SCANBELT
...keeping industry moving...

SUGGESTED INDUSTRIES

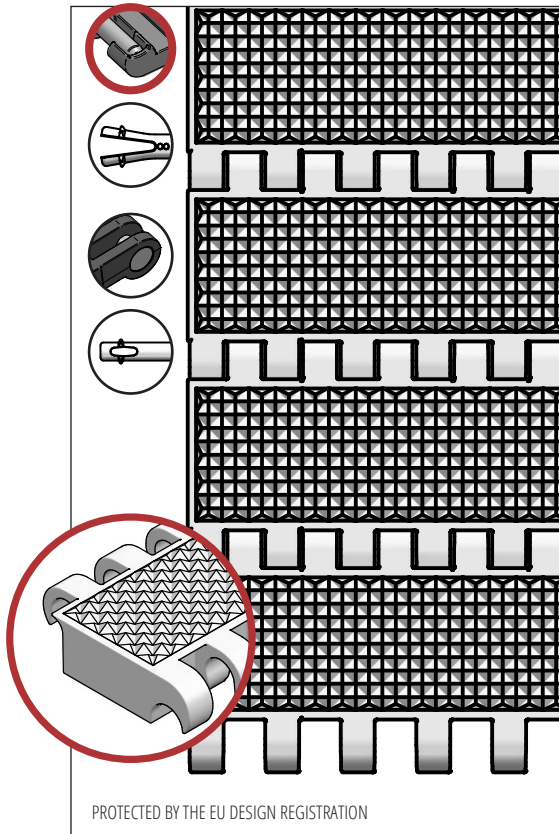


STANDARD FEATURES

Belt surface	Rough top
Open area	Closed
Strength	Ideal choice for medium-duty transportation
Cleanability	Excellent. FSIS
Standard width	Increments of 10 mm, e.g. 100, 110 mm etc.

BELT DATA

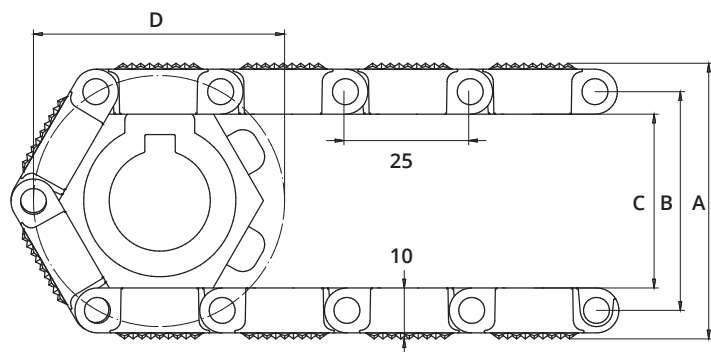
Belt materials	Temperature range		Max. belt pull kg/m of width	Belt weight kg/m ²	Belt weight kg/m ² w. steel rods	Standard Colours
	Min.	Max.				
PE	-73	66	900	6	11,5	Blue/Natural
PP	+5	100	1250	6	11,5	Blue/White/Grey
POM	-43	95	2400	8,5	14	Blue/Natural



ACCESSORIES

Type	mm
Flights	3, 25*, 50*
Scoop Flights	-
Bent Flights	-
Supported Flights	-
Flights fitted with a Round Top	Yes
Side Guards	25, 50, 75
Friction Flights	25, 50
Hold-downs	Yes

*Modules can be supplied with a moulded indent of 40 mm.



SPROCKET DATA

A = Outside, B = Pitch, C = Inside, D = Pitch Circle Diameter

No. Teeth	A	B	C	D	Hub Width	Round Bore		Square Bore	
	mm	mm	mm	mm		mm	Inch	mm	Inch
6	56	45	36	52	20	20			
8	73	62	53	66	20	20 / 25	1	25	
12	107	96	87	99	20	20 / 25 / 30 / 40	1 / 1¼	25 / 40	1½
20	173	162	153	164	35	25 / 30 / 40	1 / 1¼	25 / 40 / 60	1½ / 2½