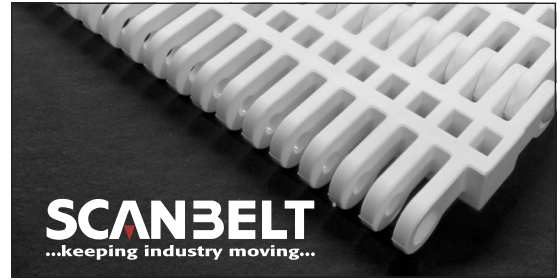


# S.50-100

Ideal for bakery goods, fruit & vegetables, seafood, dairy and bottling & cans, wood, and heavy duty transportation in general. FDA approved.



**SCANBELT**  
...keeping industry moving...

## SUGGESTED INDUSTRIES

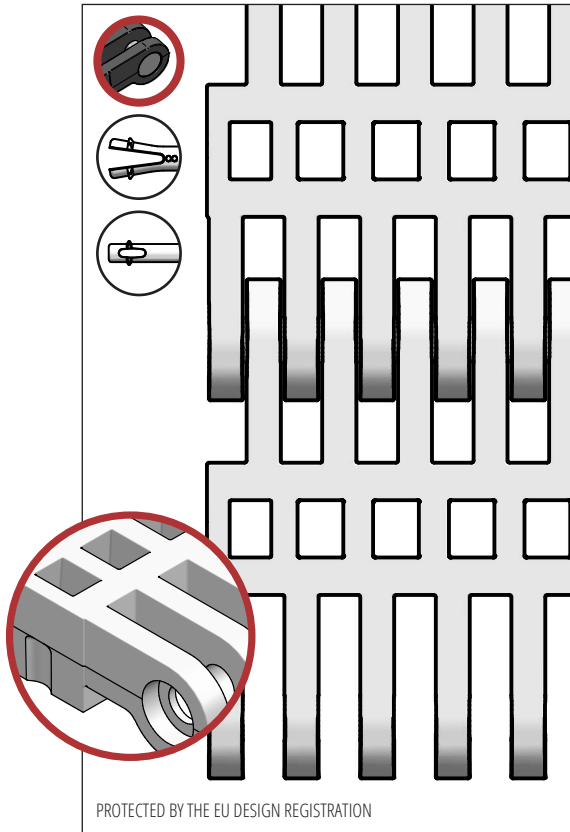


## STANDARD FEATURES

Belt surface	Open belt with a smooth surface
Open area	27 %. Biggest opening 5 x 9 mm
Strength	Ideal choice for heavy-duty transportation
Cleanability	Good. FSIS
Standard width	Increments of 10 mm, e.g. 100, 110 mm etc.

## BELT DATA

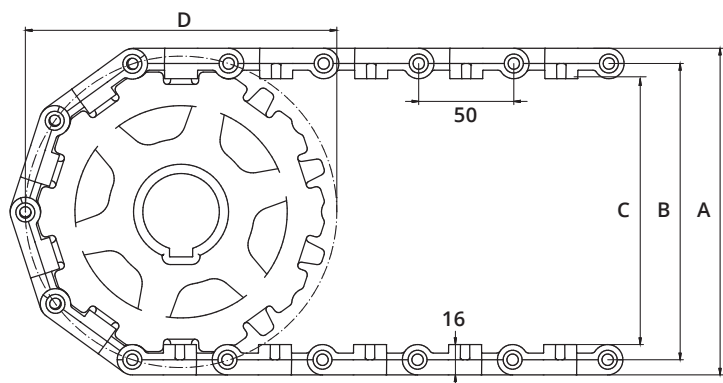
Belt materials	Temperature range		Max. belt pull kg/m of width	Belt weight kg/m <sup>2</sup>	Belt weight kg/m <sup>2</sup> w. steel rods	Standard Colours
	Min.	Max.				
PE	-73	66	1840	8	12	Blue/Natural
PP	+5	100	2795	8	12	Blue/White/Grey
POM	-43	95	4200	12	16	Blue/Natural



## ACCESSORIES

Type	mm
Flights	25*, 50*, 75*, 100*
Scoop Flights	50, 75, 100*, 150*
Bent Flights	75*, 100*
Supported Flights	75, 100, 150
Flights fitted with a Round Top	Yes
Side Guard	50, 75, 100, 150
Friction Top	Yes
Hold-downs	Yes

\*Modules can be supplied with a moulded indent of 40 mm.



## SPROCKET DATA

A = Outside, B = Pitch, C = Inside, D = Pitch Circle Diameter

No. Teeth	A mm	B mm	C mm	D mm	Hub Width mm	Round Bore		Square Bore	
						mm	Inch	mm	Inch
6	104	88	72	101	20	20 / 25 / 30 / 40	¾ / 1 / 1¼	25 / 40	1½
8	138	122	106	133	35	25 / 30 / 40	1 / 1¼	25 / 40	1½
10	172	156	140	164	35	25 / 30 / 40	1 / 1¼	20 / 25 / 40 / 60 / 50 / 60 / 80	1½ / 2½
12	205	189	173	195	35	20 / 25 / 30 / 40 / 50 / 60	1 / 1¼	25 / 40 / 60 / 80	1½ / 2½
16	270	254	238	258	40	60 / 80		40 / 60 / 80	